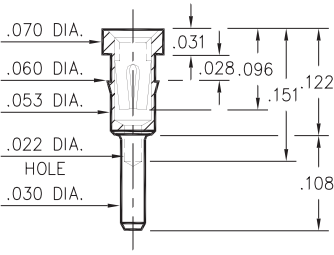
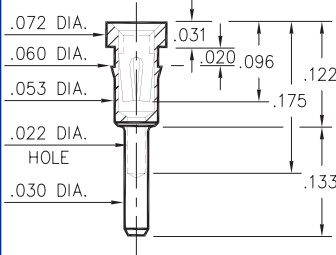


0501



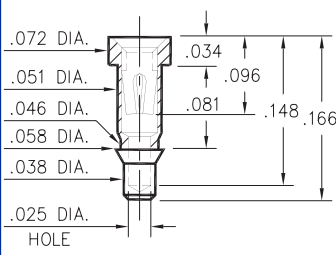
0501-0-15-XX-30-XX-04-0
Press-fit in .057 mounting hole

8427



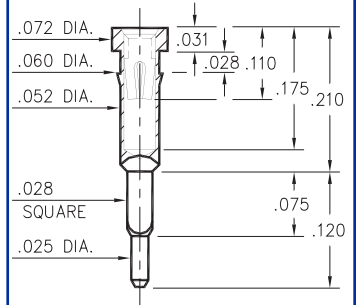
8427-0-15-XX-30-XX-04-0
Press-fit in .057 mounting hole

1434



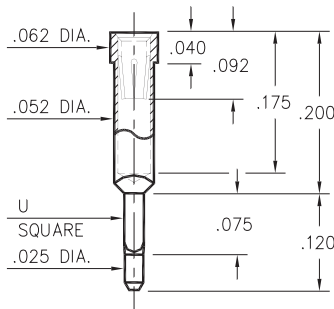
1434-0-15-XX-30-XX-10-0
Press-fit in .055 mounting hole

9970



9970-0-15-XX-30-XX-04-0
Square press-fit for .032 ±.002 plated thru hole

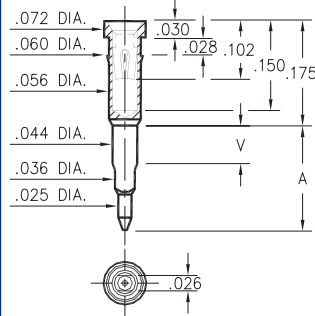
5970



5970-X-15-XX-32-XX-04-0
Square press-fit for .032 or .039 ±.002 plated thru hole

| Basic Part Number | U Square | Mounting Hole |
|-------------------|----------|---------------|
| 5970-1 | .028 | .032 |
| 5970-2 | .034 | .039 |

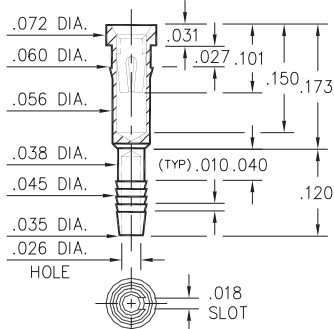
0477/0478



047X-0-18-XX-30-XX-04-0
Solderless press-fit in .038 +.003 / -.002 plated thru hole (use 1.1mm drill prior to plating)

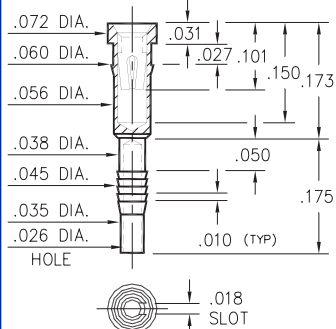
| Basic Part Number | Board Thickness | Length V | Length A |
|-------------------|-----------------|----------|----------|
| 0477-0 | .062 | .075 | .175 |
| 0478-0 | .125 | .140 | .250 |

4612



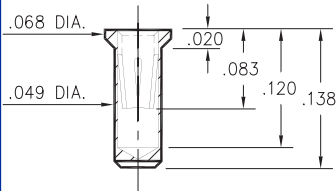
4612-0-31-XX-30-XX-04-0
Compliant press-fit in .040 ±.003 plated hole. For .060 → .100 thick board

4613



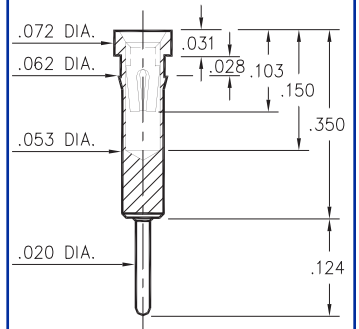
4613-0-31-XX-30-XX-04-0
Compliant press-fit in .040 ±.003 plated hole. For .090 → .130 thick board

0680



0680-0-15-XX-32-XX-10-0
Solder mount in .051 min. mounting hole

0149



0149-0-15-XX-30-XX-04-0
Press-fit in .059 mounting hole

SPECIFICATIONS

SHELL MATERIAL:
Brass Alloy 360, 1/2 Hard

CONTACT MATERIAL:
Beryllium Copper Alloy 172, HT

DIMENSION IN INCHES
TOLERANCES ON:
LENGTHS: ±.005
DIAMETERS: ±.002
ANGLES: ± 2°

ORDER CODE: XXXX - X - XX - XX - 3X - XX - XX - 0

BASIC PART #

SPECIFY SHELL FINISH:
01 200µ" TIN/LEAD OVER NICKEL
80 200µ" TIN OVER NICKEL
15 10µ" GOLD OVER NICKEL

SPECIFY CONTACT FINISH:
02 100µ" TIN/LEAD OVER NICKEL
84 100µ" TIN OVER NICKEL
27 30µ" GOLD OVER NICKEL



SELECT CONTACT

#30 or #32 CONTACT (DATA ON PAGES 218 & 219)